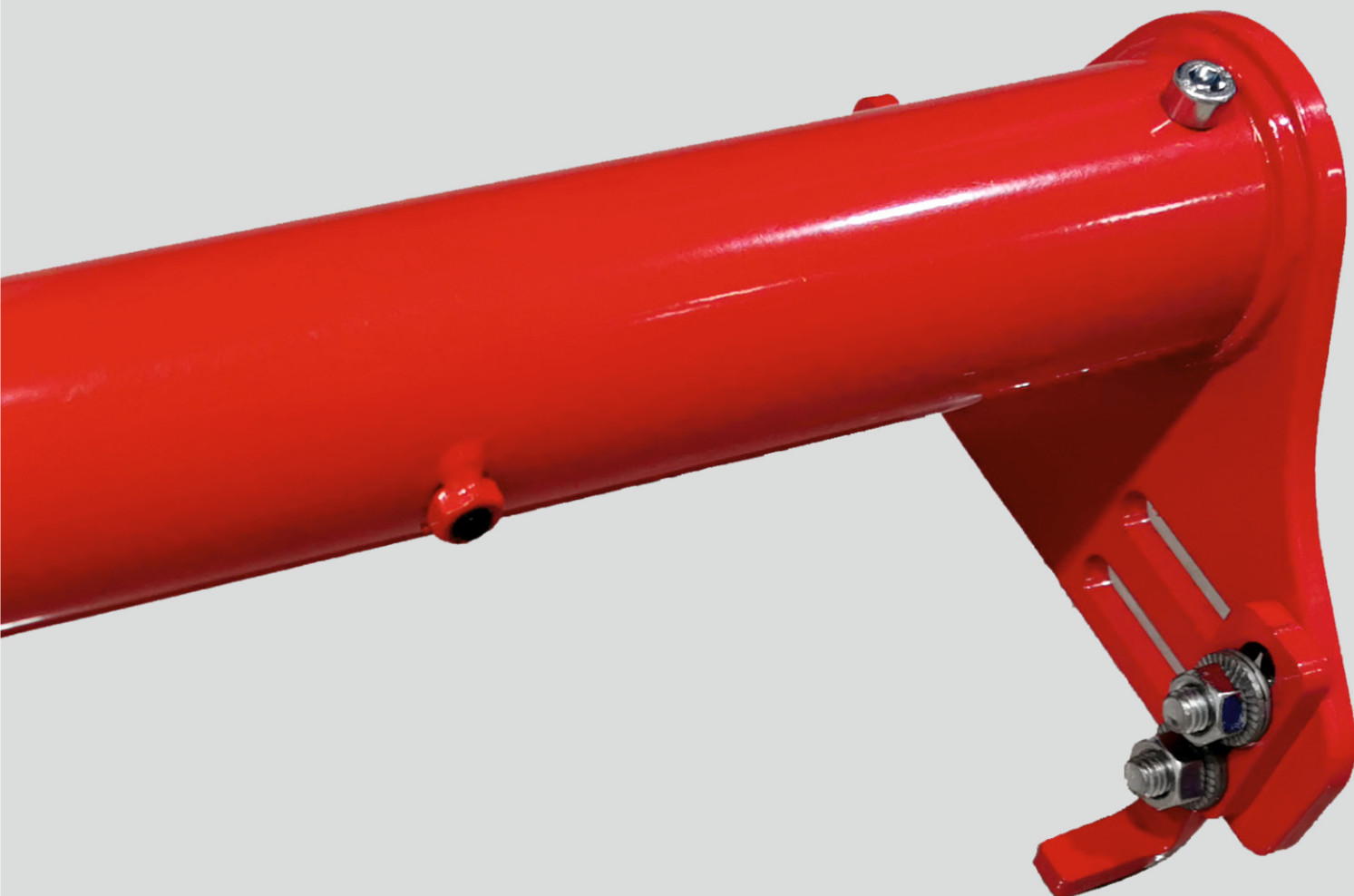


Newsletter

21.2020

Wheel Block for vehicle transporters



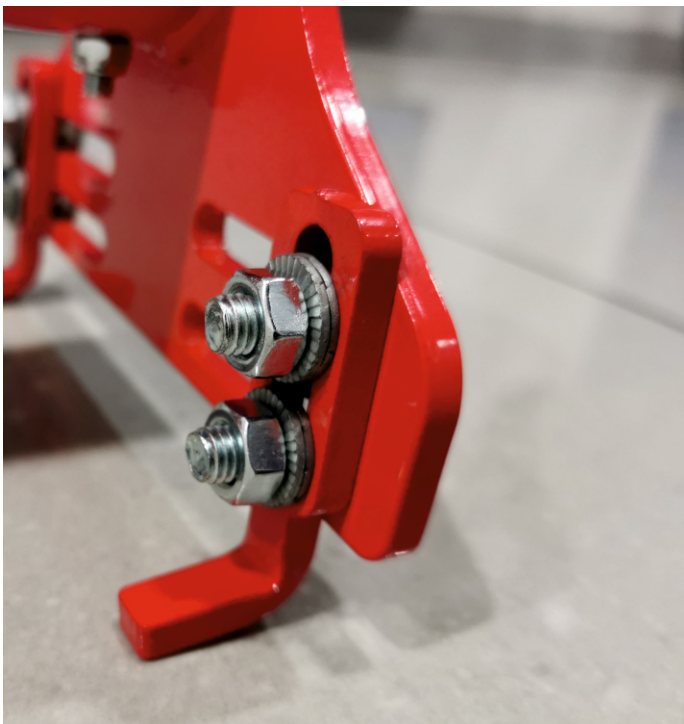
knott.pl



Dear Sirs,

we would like to introduce you to a novelty in our product range. It is a wheel blocking wedge for vehicle transporters, with adjustable width and spacing of the locking forks, making this solution very flexible and can be used in various types of tow trucks.

An undoubted advantage is the easy adjustment, thanks to which the wedge can be adapted to all types and spacing of LOHR sheets, as well as aluminum panels used in trailers and vehicle transporters.

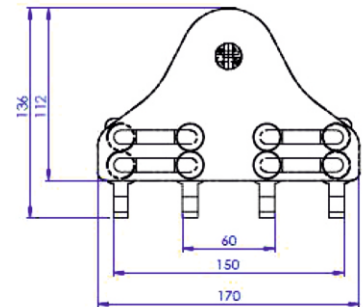
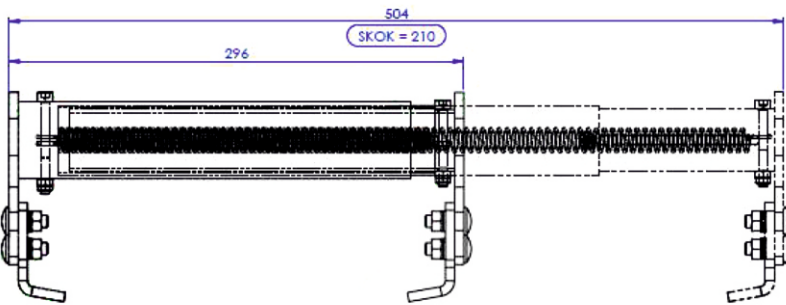


Easy and quick adjustment thanks to the use of ordinary nuts.

Thanks to the use of washers type Nord-Lock, after tightening the nut, we are sure that the connection is safe and strong.



The double telescope provides the possibility of adjustment in the range of 296-504mm. The spring installed inside allows for permanent and safe "closing" of the wedge on the trailer, thanks to which we have a guarantee of safety.



The range of the lock adjustment is shown above.



The most important advantages of the support are:

- mechanical lock against too much stretching,
- use of NordLock washers,
- hot-dip galvanization and aesthetic finish,

Technical Data:

Art. Nr.	PX0014.001
Material	steel
Finish	hot-dip galvanization
RAL colour	3020
weight	2,9 kg

Detailed information about the products is provided by the Sales Department of KNOTT Sp. z o.o.

KNOTT Sp. z o.o.

63-011 Pławce
Zdziechowice 100
tel. 61 287 60 00
fax 61 287 60 01
info@knott.pl
www.knott.pl

