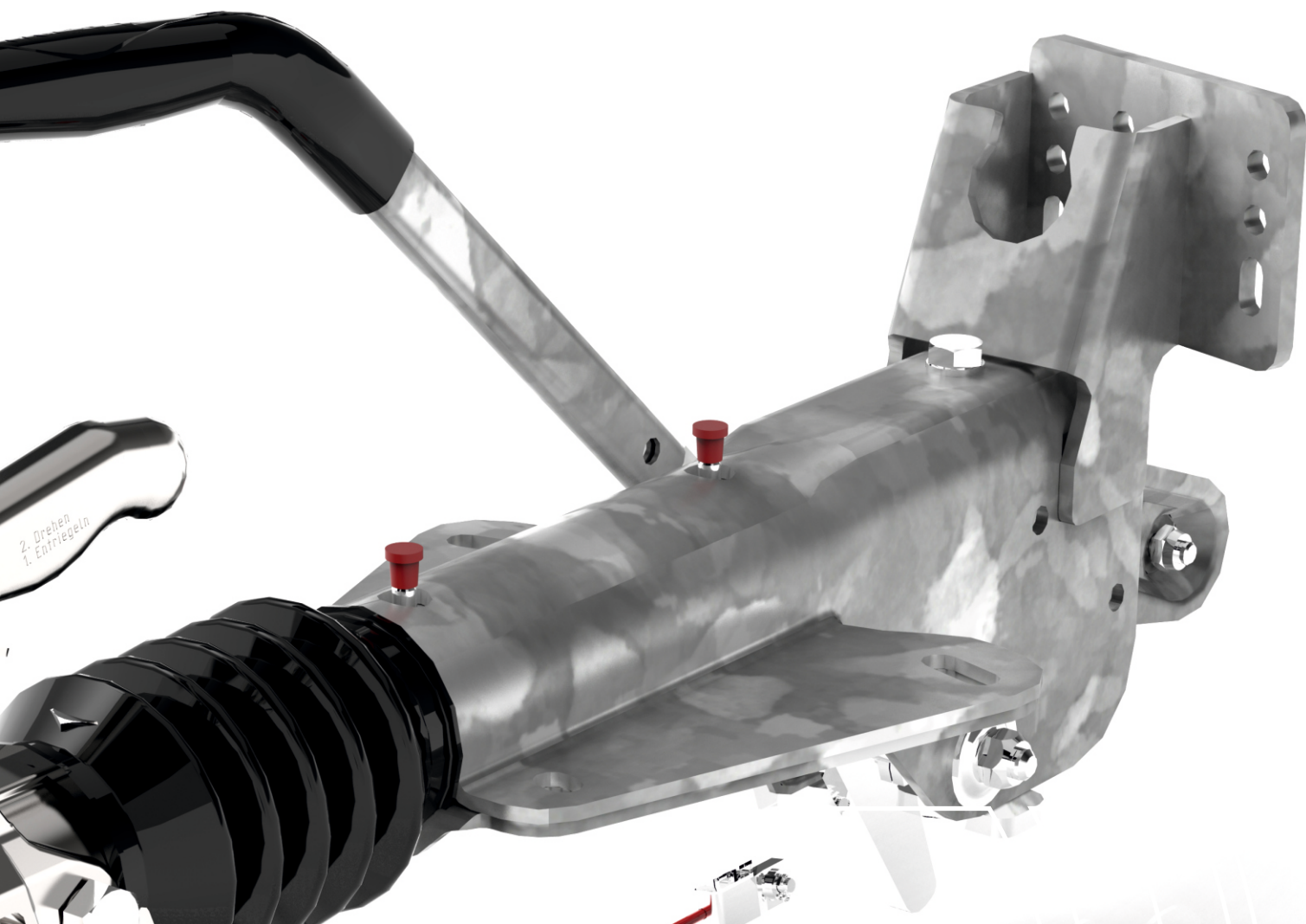


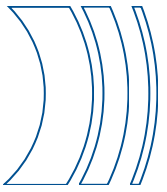
Newsletter

05.2020

Overrun devices with console



knott.pl

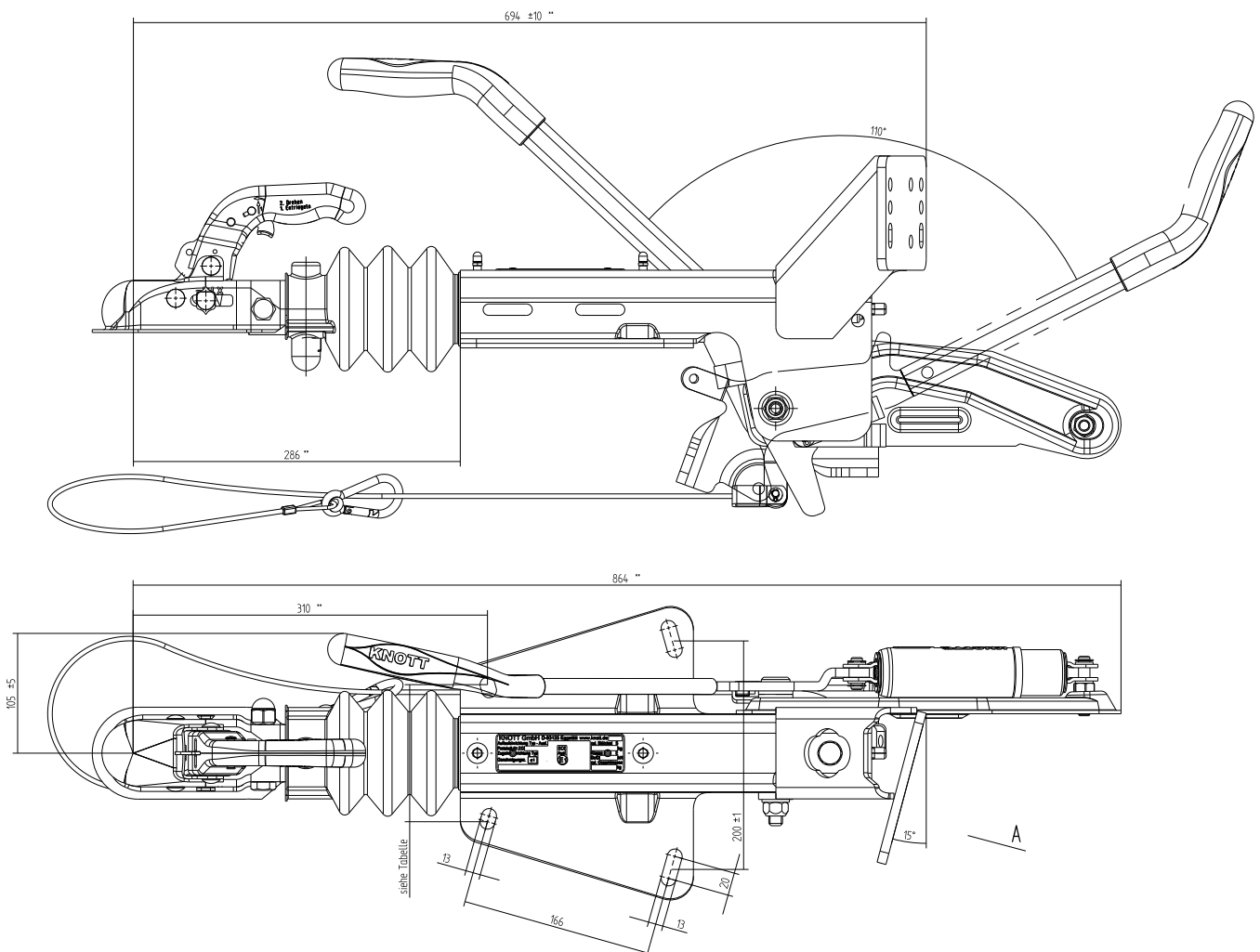


Dear Sirs,

we would like to inform you that the standard overrun device consoles have been modified. From now on, the standard console will be set at an angle of 15 degrees, which makes it easier to position the wheel as close to the longitudinal axis of the trailer as possible, while avoiding collision with the brake rod.

Mounting the jockey wheel close to the axis minimizes the bending moment on the jockey wheel housing, increasing its service life.

An additional plus is the much easier maneuvering of the trailer at a standstill, due to the minimization of additional loads resulting from the abovementioned moment.

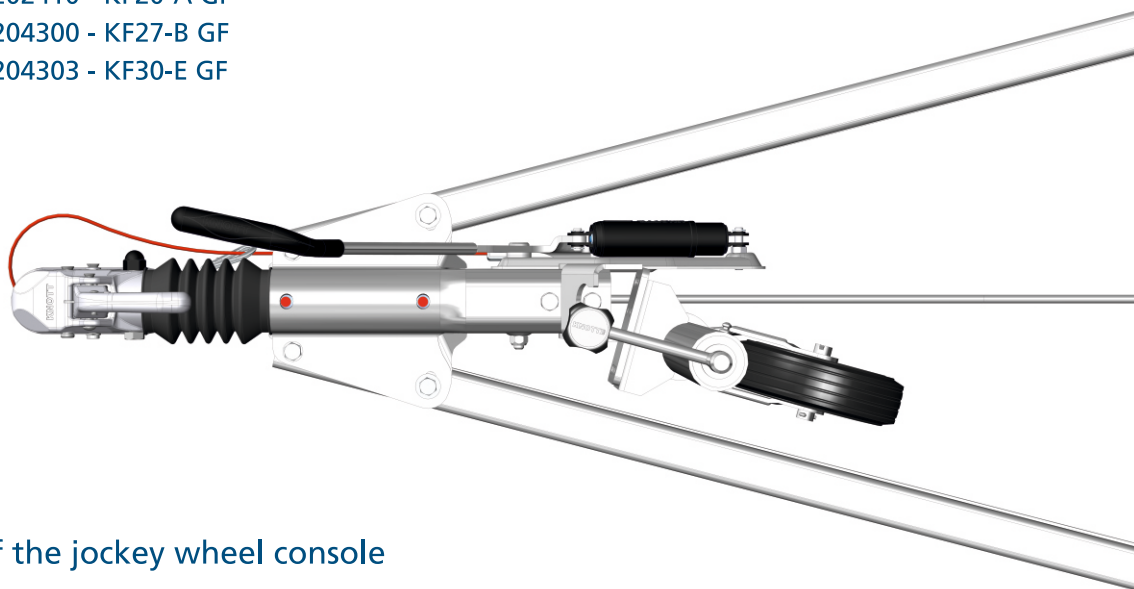


The described change will take place gradually and during the transition period it may happen that you will receive devices with an old - simple console and with a new - deflected. If for some reason you need to receive devices with a simple console, please contact the sales representative who supports you.

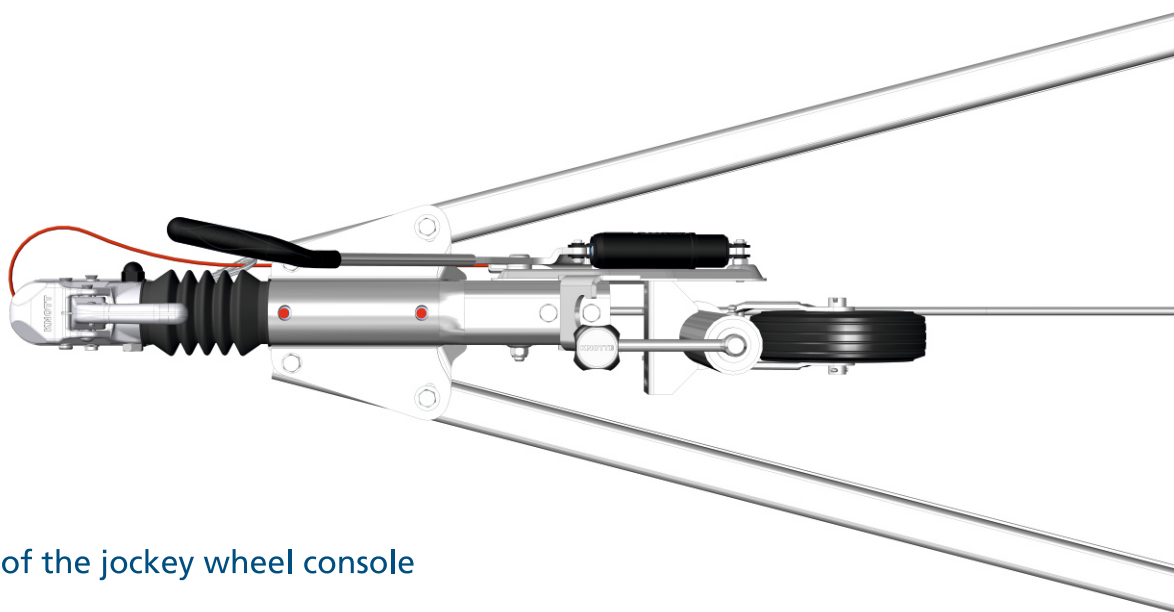


The list of devices affected by the change includes, among others:

- art. nr 206869 - KFL12-C GF
- art. nr 202475 - KF13-E GF
- art. nr 203161 - KF13-C GF
- art. nr 202597 - KF17-E GF
- art. nr 202410 - KF20-A GF
- art. nr 204300 - KF27-B GF
- art. nr 204303 - KF30-E GF



New version of the jockey wheel console



Old version of the jockey wheel console

For more details please contact Sales Department KNOTT Sp. z o.o.



KNOTT Sp. z o.o.

63-011 Pławce
Zdziechowice 100
tel. 61 287 60 00
fax 61 287 60 01
info@knott.pl
www.knott.pl

02-230 Warszawa
ul. Jutrzenki 50
tel./fax 22 846 02 90
warszawa@knott.pl

41-103 Siemianowice Śląskie
ul. Łącząca 1
tel. 32 765 32 30
tel./fax 032 765 32 31
siemianowice@knott.pl

80-557 Gdańsk
ul. Załogowa 6
tel. 58 341 33 08
gdansk@knott.pl

