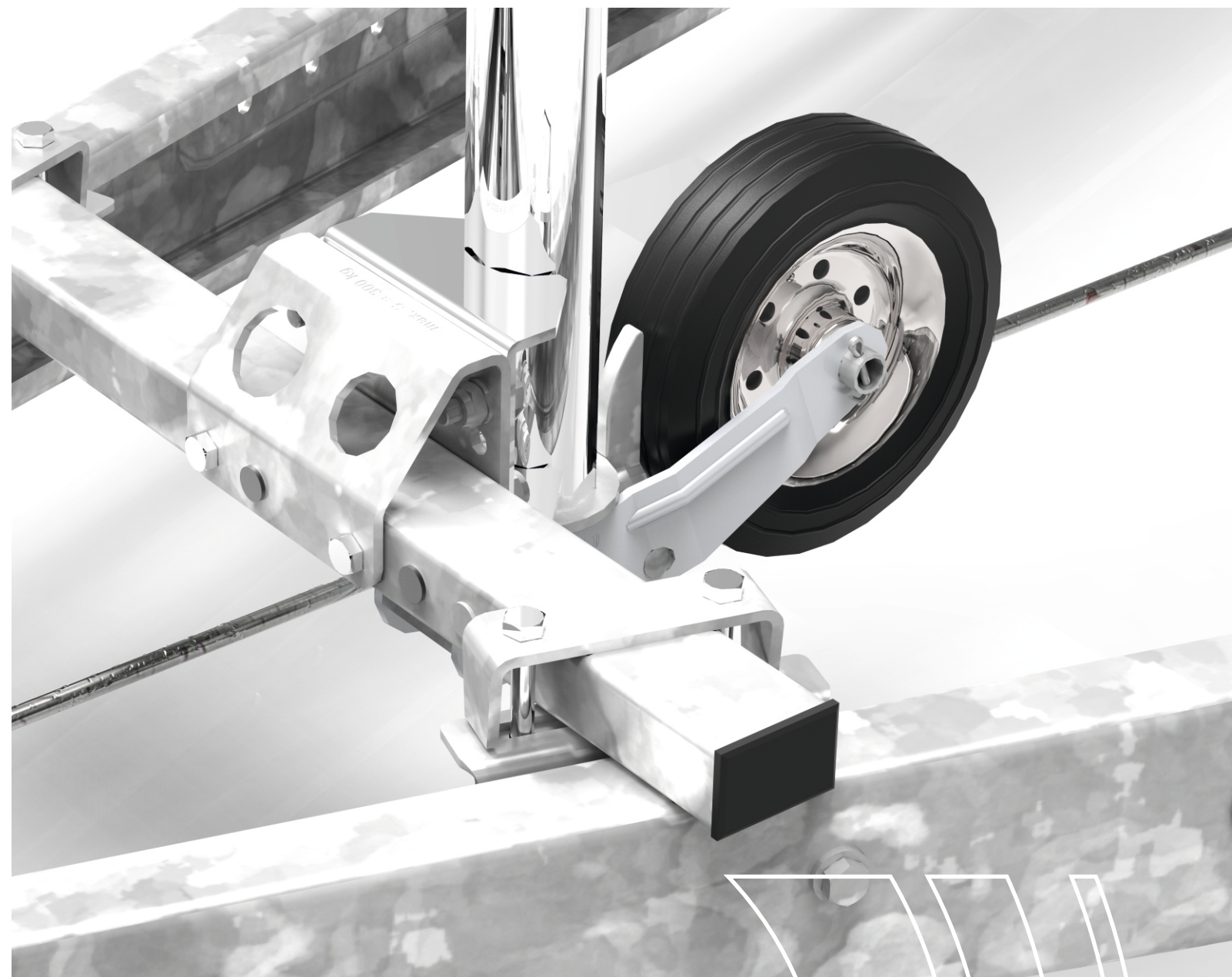


Newsletter

04.2020

Universal jockey wheel support

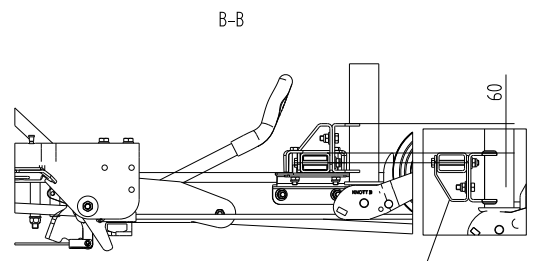
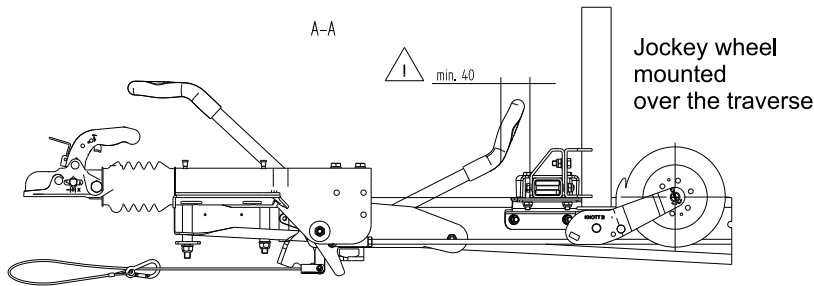


knott.pl

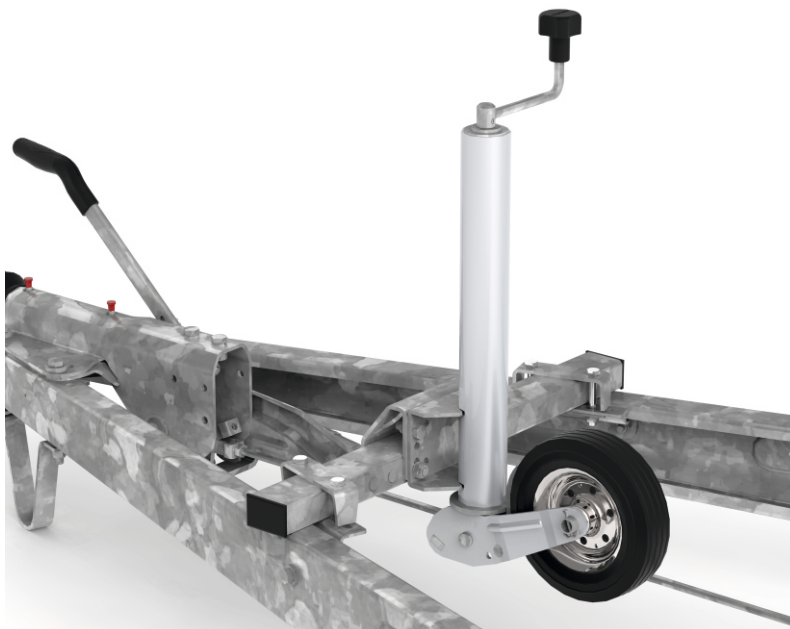
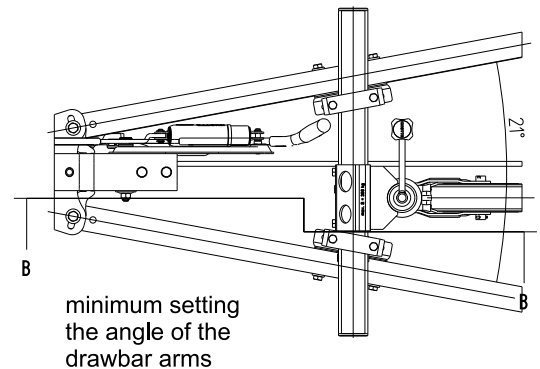
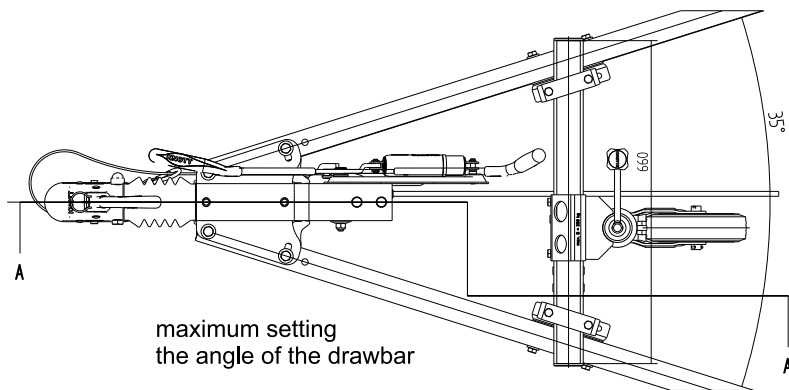


Dear Sirs,

in our company's offer you will also find a spare wheel bracket mounted on forklifts. This solution is universal enough to allow installation at various drawbar angles, thanks to which it will certainly be used in your trailer.

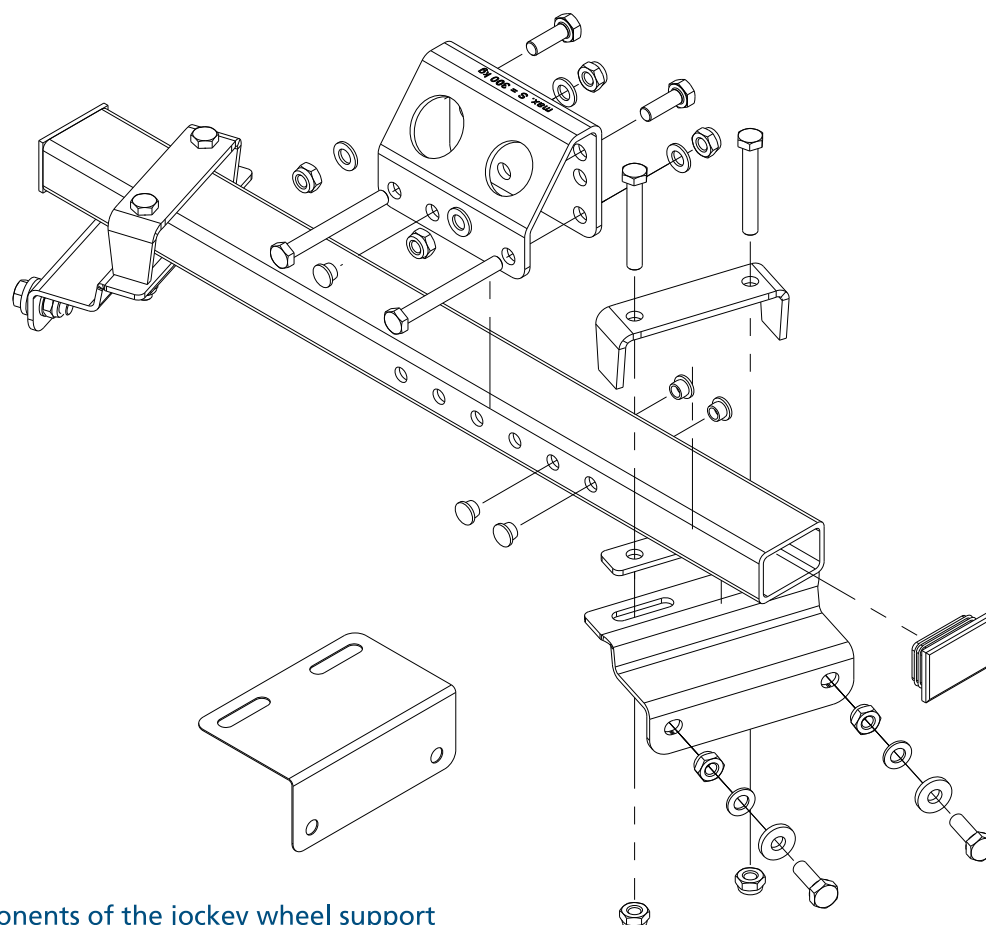


Possible lower position of the console as mounting option



The jockey wheel support offered is dedicated to KNOTT drawbars. In the case of mounting on other manufacturers' drawbars, it is necessary to familiarize with the approval and determine whether it is possible to mount the crossbar by screwing it to the drawbar arms.

The use of a crossbar allows for proper positioning of the jockey wheel, as close to the center of the longitudinal axis of the trailer as possible, thanks to which the lateral forces acting on the jockey wheel are minimal, and maneuvering the trailer in the yard is much easier.



Components of the jockey wheel support



Art. Nr. - 208765.001

Mounting the bracket is very simple and intuitive and possible on the ZHL15 to ZHL35 drawbars regardless of the drawbar version.

A support template is also offered for the jockey wheel bracket to facilitate drilling of the corresponding mounting holes in the drawbar - Art. No. - 209213.001

For more details please contact with Sales Department KNOTT Sp. z o.o.



KNOTT Sp. z o.o.

63-011 Pławce
Zdziechowice 100
tel. 61 287 60 00
fax 61 287 60 01
info@knott.pl
www.knott.pl

02-230 Warszawa
ul. Jutrzenki 50
tel./fax 22 846 02 90
warszawa@knott.pl

41-103 Siemianowice Śląskie
ul. Łącząca 1
tel. 32 765 32 30
tel./fax 032 765 32 31
siemianowice@knott.pl

80-557 Gdańsk
ul. Załogowa 6
tel. 58 341 33 08
gdansk@knott.pl

